



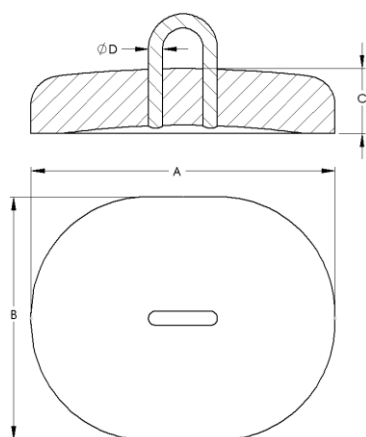
Head Office -  
**Griffin-Woodhouse Limited**  
 Woods Lane, Cradley Heath  
 West Midlands B64 7AR  
**United Kingdom**

T +44 (0) 1299 861829  
 F +44 (0) 1299 861830  
 E [sales@gwec.co.uk](mailto:sales@gwec.co.uk)

Ports & Terminals - Mooring

## Cast Iron Sinkers

(Product Code STDR - 4110)



Oval Pattern Cast Iron Sinkers are manufactured per BS EN 1561 and available in standard, Admiralty or Trinity House models (detailed). Alternative sizes available on request. For more information please contact us.

Weight (MT)	Dimensions (mm)			
	A	B	C	D
0.2	570	410	150	70
0.5	840	600	205	70
1.0	1140	860	210	70
2.0	1400	1000	280	70
3.0	1500	1200	320	70
5.0	1800	1400	345	70