



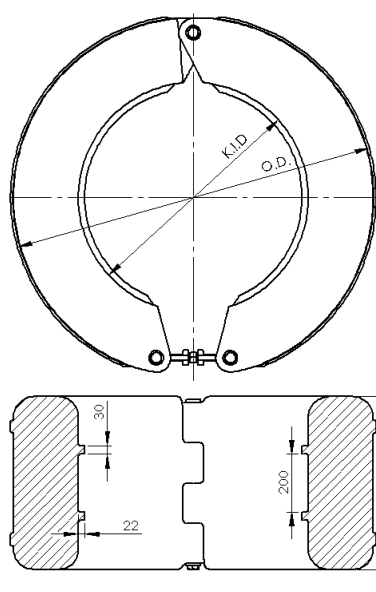
Head Office -  
**Griffin-Woodhouse Limited**  
 Woods Lane, Cradley Heath  
 West Midlands B64 7AR  
**United Kingdom**

T +44 (0) 1299 861829  
 F +44 (0) 1299 861830  
 E [sales@gwec.co.uk](mailto:sales@gwec.co.uk)

Offshore - FPSO & SPM Topsides

## Hose Floats

(Product Code STDR - 3120)



Griffin-Woodhouse Hose Floats are manufactured from a polyethylene foam core coated by polyurethane elastomer skin. They are therefore highly durable, being resistant to impact, abrasion, UV degradation and chemical attack. Bumper strips are added for protection during installation and a keyway for location on the hose collar. Floats and reducers can be made to suit specific requirements but standardised as detailed to suit most arrangements.

Type	Nett Buoyancy (Kg)	Total Weight (Kg) in air	Dimensions (mm)		
			K.I.D	O.D	W
471	80	56	471	835	450
495	114	67	495	904	500
581	130	80	581	990	500
697	190	92	697	1150	500
799	260	120	799	1250	600
876	281	128	876	1327	600
946	400	185	946	1346	850