



Head Office -  
**Griffin-Woodhouse Limited**  
 Woods Lane, Cradley Heath  
 West Midlands B64 7AR  
**United Kingdom**

T +44 (0) 1299 861829  
 F +44 (0) 1299 861830  
 E [sales@gwec.co.uk](mailto:sales@gwec.co.uk)

Lifting - Shackles

## Small Dee & Bow Shackles

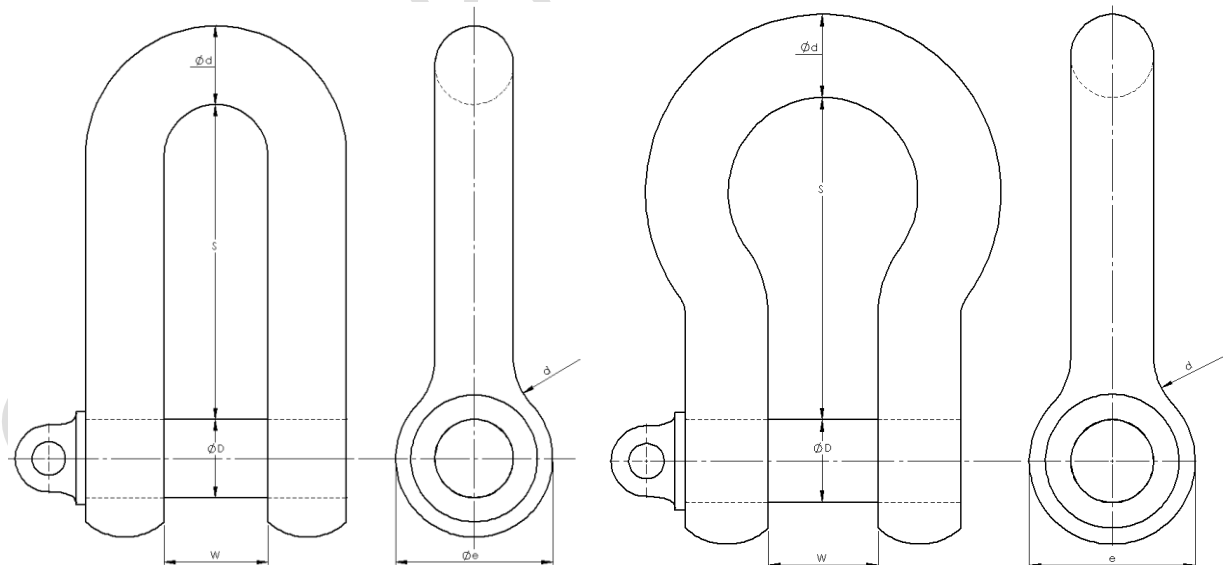


(Product Code STDR - 9103)



(Product Code STDR - 9104)

BS3032 Small Dee (Fig.2) & Bow (Fig.3) Shackles are available with Screwed Pin with eye and collar (Type A or B), Countersunk Screwed Pin with slotted or sunk square socket (Type C or D), Bolt & Nut c/w cotter (Type E) or Plain Cylindrical Pin c/w head & forelock (Type F). Shackles are supplied painted as standard.





Head Office -  
**Griffin-Woodhouse Limited**  
 Woods Lane, Cradley Heath  
 West Midlands B64 7AR  
**United Kingdom**

T +44 (0) 1299 861829  
 F +44 (0) 1299 861830  
 E [sales@gwec.co.uk](mailto:sales@gwec.co.uk)

Lifting - Shackles

## Small Dee Shackles

(Product Code STDR - 9103)

SWL (t)	PL (t)	Body Dia. d (Inch)	Pin Dia. D (Inch)	Width w (Inch)	Inside Length s (Inch)	Eye Dia. e (Inch)
1	2	1/2	5/8	7/8	1.7/8	1.1/4
1.3/4	3.1/2	5/8	3/4	1	2.1/4	1.1/2
2.1/2	5	3/4	7/8	1.1/4	2.3/4	1.3/4
3.1/2	7	7/8	1	1.3/8	3.1/4	2
4.1/2	9	1	1.1/8	1.1/2	3.5/8	2.1/4
5.1/2	11	1.1/8	1.1/4	1.3/4	4.1/8	2.1/2
7	14	1.1/4	1.3/8	1.7/8	4.1/2	2.3/4
8	16	1.3/8	1.1/2	2.1/8	5	3
10.3/4	21.1/2	1.1/2	1.3/4	2.3/8	5.1/2	3.1/2
13	26	1.5/8	1.7/8	2.1/2	5.7/8	3.3/4
14.3/4	29.1/2	1.3/4	2	2.3/4	6.3/8	4
16.3/4	33.1/2	1.7/8	2.1/8	2.7/8	6.3/4	4.1/4
19	38	2	2.1/4	3	7.1/4	4.1/2
20	40	2.1/8	2.3/8	3.1/4	7.3/4	4.3/4
25	50	2.3/8	2.3/4	3.5/8	8.5/8	5.1/2
30	60	2.1/2	2.7/8	3.7/8	9	5.3/4
35	70	2.3/4	3.1/8	4.1/4	10	6.1/4
40	80	2.7/8	3.1/4	4.3/8	10.3/8	6.1/2
50	100	3.1/4	3.3/4	5	11.3/4	7.1/2
65	130	3.5/8	4.1/4	5.1/2	13.1/8	8.1/2
80	160	4	4.5/8	6.1/8	14.1/2	9.1/4



Head Office -  
**Griffin-Woodhouse Limited**  
 Woods Lane, Cradley Heath  
 West Midlands B64 7AR  
**United Kingdom**

T +44 (0) 1299 861829  
 F +44 (0) 1299 861830  
 E [sales@gwec.co.uk](mailto:sales@gwec.co.uk)

Lifting - Shackles

## Small Bow Shackles

(Product Code STDR - 9104)

SWL (t)	PL (t)	Body Dia. d (Inch)	Pin Dia. D (Inch)	Width w (Inch)	Inside Length s (Inch)	Eye Dia. e (Inch)
1.1/2	3	5/8	3/4	1.1/8	2.1/2	1.1/2
2	4	3/4	7/8	1.3/8	3	1.3/4
3	6	7/8	1	1.1/2	3.1/2	2
4	8	1	1.1/8	1.3/4	4	2.1/4
5	10	1.1/8	1.1/4	2	4.1/2	2.1/2
6.1/4	12.1/2	1.1/4	1.3/8	2.1/4	5	2.3/4
7.1/2	15	1.3/8	1.1/2	2.3/8	5.1/2	3
9.1/4	18.1/2	1.1/2	1.3/4	2.5/8	6	3.1/2
10.1/2	21	1.5/8	1.7/8	2.7/8	6.1/2	3.3/4
12.1/2	25	1.3/4	2	3.1/8	7	4
14.1/4	28.1/2	1.7/8	2.1/8	3.3/8	7.1/2	4.1/4
16.1/2	33	2	2.1/4	3.5/8	8	4.1/2
18.1/2	37	2.1/8	2.3/8	3.3/4	8.1/2	4.3/4
20	40	2.1/4	2.1/2	4.1/8	9	5
25	50	2.1/2	2.3/4	4.1/2	10	5.1/2
30	60	2.3/4	3.1/8	5	11	6.1/4
35	70	3	3.3/8	5.3/8	12	6.3/4
40	80	3.1/8	3.1/2	5.5/8	12.1/2	7
50	100	3.1/2	3.7/8	6.1/4	14	7.3/4
65	130	4	4.1/2	7.1/4	16	9
80	160	4.1/2	5	8.1/8	18	10