



Head Office -
Griffin-Woodhouse Limited
 Woods Lane, Cradley Heath
 West Midlands B64 7AR
United Kingdom

T +44 (0) 1299 861829
 F +44 (0) 1299 861830
 E sales@gwec.co.uk

Lifting - Shackles

Large Dee & Bow Shackles

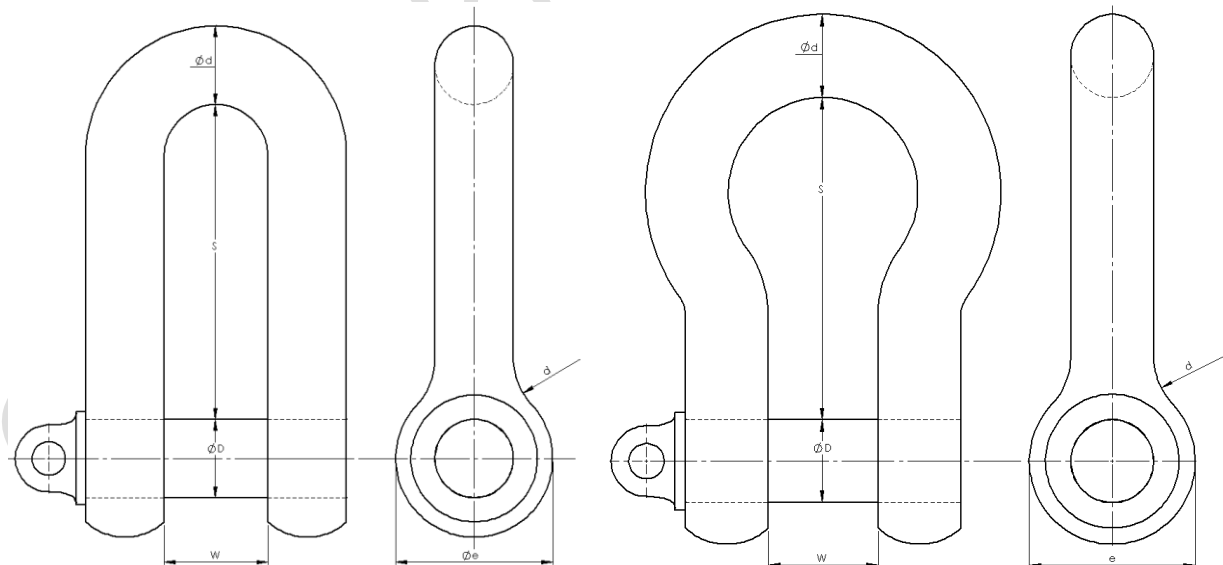


(Product Code STDR - 9101)



(Product Code STDR - 9102)

BS3032 Large Dee (Fig.2) & Bow (Fig.3) Shackles are available with Screwed Pin with eye and collar (Type A or B), Countersunk Screwed Pin with slotted or sunk square socket (Type C or D), Bolt & Nut c/w cotter (Type E) or Plain Cylindrical Pin c/w head & forelock (Type F). Shackles are supplied painted as standard.





Head Office -
Griffin-Woodhouse Limited
 Woods Lane, Cradley Heath
 West Midlands B64 7AR
United Kingdom

T +44 (0) 1299 861829
 F +44 (0) 1299 861830
 E sales@gwec.co.uk

Lifting - Shackles

Large Dee Shackles

(Product Code STDR - 9101)

SWL (t)	PL (t)	Body Dia. d (Inch)	Pin Dia. D (Inch)	Width w (Inch)	Inside Length s (Inch)	Eye Dia. e (Inch)
1.1/2	3	5/8	3/4	1.1/4	2.1/2	1.1/2
2	4	3/4	7/8	1.1/2	2.7/8	1.3/4
3	6	7/8	1	1.3/4	3.1/4	2
3.3/4	7.1/2	1	1.1/8	2	3.3/4	2.1/4
5	10	1.1/8	1.1/4	2.1/8	4.1/8	2.1/2
6	12	1.1/4	1.3/8	2.3/8	4.1/2	2.3/4
7	14	1.3/8	1.1/2	2.5/8	5	3
9.1/2	19	1.1/2	1.3/4	2.3/4	5.3/8	3.1/2
11.1/4	22.1/2	1.5/8	1.7/8	3	5.3/4	3.3/4
13	26	1.3/4	2	3.1/4	6.1/8	4
14.1/4	28.1/2	1.7/8	2.1/8	3.5/8	7	4.1/4
16.1/4	32.1/2	2	2.1/4	3.7/8	7.3/8	4.1/2
18	36	2.1/8	2.3/8	4.1/8	7.3/4	4.3/4
20	40	2.1/4	2.1/2	4.1/4	8.1/4	5
25	50	2.1/2	2.7/8	4.3/4	9.1/4	5.3/4
30	60	2.3/4	3.1/8	5.1/4	10.1/4	6.1/4
35	70	3	3.3/8	5.3/4	11	6.3/4
40	80	3.1/8	3.1/2	5.7/8	11.1/2	7
50	100	3.1/2	4	6.3/4	13	8
65	130	4	4.1/2	7.1/2	14.3/4	9
80	160	4.1/2	5	8.5/8	16.1/2	10



Head Office -
Griffin-Woodhouse Limited
 Woods Lane, Cradley Heath
 West Midlands B64 7AR
United Kingdom

T +44 (0) 1299 861829
 F +44 (0) 1299 861830
 E sales@gwec.co.uk

Lifting - Shackles

Large Bow Shackles

(Product Code STDR - 9102)

SWL (t)	PL (t)	Body Dia. d (Inch)	Pin Dia. D (Inch)	Width w (Inch)	Inside Length s (Inch)	Eye Dia. e (Inch)
1.1/4	2.1/2	5/8	3/4	1.1/8	2.3/4	1.1/2
2	4	3/4	7/8	1.3/8	3.3/8	1.3/4
2.3/4	5.1/2	7/8	1	1.5/8	3.7/8	2
3.3/4	7.1/2	1	1.1/8	1.3/4	4.1/4	2.1/4
4.3/4	9.1/2	1.1/8	1.1/4	2	4.7/8	2.1/2
5.3/4	11.1/2	1.1/4	1.3/8	2.1/4	5.3/8	2.3/4
7.1/4	14.1/2	1.3/8	1.1/2	2.1/2	6	3
8.1/2	17	1.1/2	1.3/4	2.3/4	6.5/8	3.1/2
9.1/2	19	1.5/8	1.7/8	3	7.3/8	3.3/4
11.1/2	23	1.3/4	2	3.3/8	8.1/8	4
13	26	1.7/8	2.1/8	3.5/8	8.3/4	4.1/4
15	30	2	2.1/4	3.7/8	9.3/8	4.1/2
18.1/2	37	2.1/4	2.1/2	4.1/8	10.1/8	5
20	40	2.3/8	2.5/8	4.3/8	10.3/4	5.1/4
25	50	2.5/8	2.7/8	4.3/4	11.7/8	5.3/4
30	60	2.7/8	3.1/8	5.1/4	13	6.1/4
35	70	3.1/8	3.3/8	5.3/4	14.1/8	6.3/4
40	80	3.3/8	3.5/8	6.1/4	15.1/4	7.1/4
50	100	3.3/4	4	6.3/4	16.7/8	8
65	130	4.1/4	4.5/8	7.3/4	19	9.1/4
80	160	4.5/8	5	8.1/2	21	10