

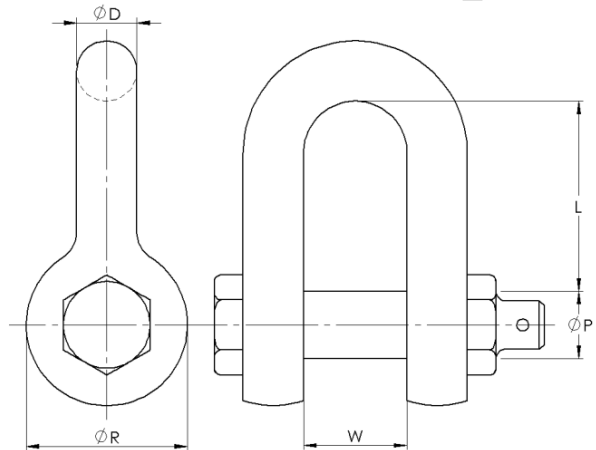


Head Office -
Griffin-Woodhouse Limited
 Woods Lane, Cradley Heath
 West Midlands B64 7AR
United Kingdom

T +44 (0) 1299 861829
 F +44 (0) 1299 861830
 E sales@gwec.co.uk

Lifting - Shackles

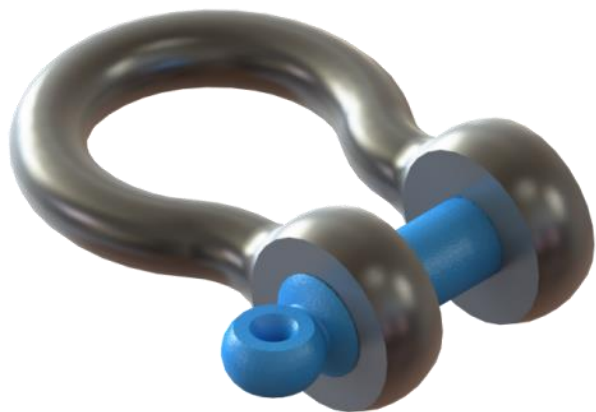
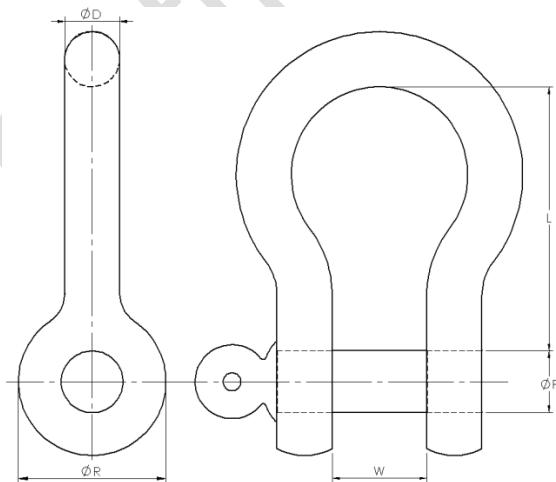
Fed. Spec. RR-C-271



Blue Pin Federal Specification Shackles are available in Bow (Type IVA) or D (Type IVB) configurations with either Screw Pins (Class 2) or Safety Bolt (Class 3). With a Factor of Safety 5:1 bodies are supplied galvanised as standard.

The following standard configurations are available -

- **Safety D** - (Chain Type) (Product Code STDR - 1300)
- **Safety Bow** - (Anchor Type) (Product Code STDR - 1301)
- **Screw Pin D** - (Chain Type) (Product Code STDR - 1302)
- **Screw Pin Bow** - (Anchor Type) (Product Code STDR - 1303)





Head Office -
Griffin-Woodhouse Limited
 Woods Lane, Cradley Heath
 West Midlands B64 7AR
United Kingdom

T +44 (0) 1299 861829
 F +44 (0) 1299 861830
 E sales@gwec.co.uk

Lifting - Shackles

Fed. Spec. RR-C-271

SWL (T)	PL (T)	Body Dia. D (mm)	Pin Dia. P (mm)	Width W (mm)	Inside Length L (mm)		Eye Dia. R (mm)
					Bow Type	D Type	
1	2	9.5	11	16.5	36	32	25
2	4	12.5	16	20.5	48	41	32
3¼	6.5	16	19	27	61	51	40
4¾	9.5	19	22	32	72	60	47
6½	13	22	25	36	84	71	53
8½	17	25	28	43	95	81	61
9½	19	28	32	46	108	90	68
12	24	32	35	52	119	100	76
13½	27	35	38	57	133	113	82
17	34	38	42	60	146	124	92
25	50	44	50	73	178	146	108
35	65	50	57	82	197	171	127
55	90	63	70	105	267	203	146
85	125	76	82	127	330	229	165
120	180	89	95	133	381	267	203
150	225	102	108	140	432	305	228