



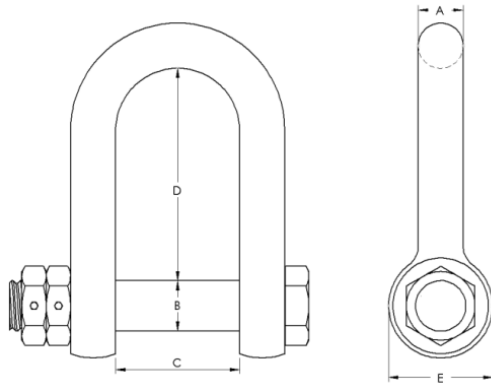
Head Office -  
**Griffin-Woodhouse Limited**  
 Woods Lane, Cradley Heath  
 West Midlands B64 7AR  
**United Kingdom**

T +44 (0) 1299 861829  
 F +44 (0) 1299 861830  
 E [sales@gwec.co.uk](mailto:sales@gwec.co.uk)

Offshore - FPSO & SPM Topsides

## HD Rope Shackle

(Product Code STDR - 3030)



Intended to connect a Mooring Hawser to the Special End Link of an Anti-Chafing Chain or Bridle Assembly, the HD Rope Shackle is manufactured from alloy material with a safety factor 5:1. Double nut arrangement safeguards against accidental release, which is further prevented by securing bolt assemblies. Bodies are supplied either galvanised or painted.

Rope Circ. (Inch)	SWL (Ton)	MBL (Ton)	Dimensions					Weight (Kgs)
			A	B	C	D	E	
7 - 8	20	100	38	44	102	229	102	14
8.5 - 10	34	170	52	65	140	285	130	30
11 - 13	60	300	64	76	175	350	165	65
14 - 15	85	425	76	90	220	390	178	87
16 - 18	110	550	90	102	254	430	216	146
19 - 21	130	650	102	114	280	480	235	194
22 - 24	200	1000	121	133	300	600	266	354
25 - 27	225	1125	127	146	333	720	292	410
28 - 30	300	1500	140	165	366	850	330	560

Rope Circ. (Inch)	SWL (Ton)	MBL (Ton)	Special Dimensions					Weight (Kgs)
			A	B	C	D	E	
18	200	498	105	120	254	500	228	205
21	200	498	115	125	280	520	238	244
15	250	612	115	125	220	400	238	203
18	250	612	125	130	254	500	238	248
21	250	612	125	130	280	480	260	274