



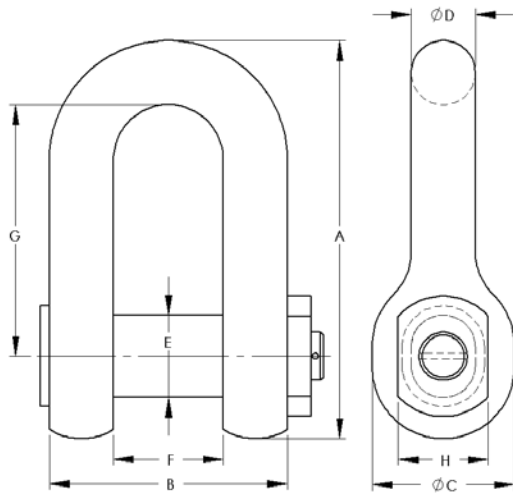
Head Office -
Griffin-Woodhouse Limited
 Woods Lane, Cradley Heath
 West Midlands B64 7AR
United Kingdom

T +44 (0) 1299 861829
 F +44 (0) 1299 861830
 E sales@gwec.co.uk

Offshore - Mooring Chain & Accessories

LTM D Type Anchor Shackle

(Product Code STDR - 1101)



d = Nominal Diameter of Common Link
 A = 8.7d
 B = 5.2d
 C = 3.1d

D = 1.4d
 E = 1.8d
 F = 2.4d



Chain Ø Dc (mm)	R3			R3S		R4	
	PL* (kN)	PL** (kN)	MBL*** (kN)	PL*** (kN)	MBL*** (kN)	PL*** (kN)	MBL*** (kN)
70	2785	2935	4196	3387	4685	4064	5156
73	3010	3172	4535	3660	5064	4392	5572
76	3242	3417	4884	3942	5454	4731	6001
78	3400	3584	5123	4135	5720	4962	6295
81	3643	3840	5490	4431	6130	5317	6745
84	3893	4104	5866	4735	6550	5682	7208
87	4149	4374	6252	5046	6981	6056	7682
90	4412	4650	6647	5365	7422	6439	8167
92	4590	4838	6916	5582	7722	6699	8497
95	4862	5125	7326	5913	8180	7096	9001
97	5047	5319	7604	6138	8490	7365	9343
100	5328	5616	8028	6480	8964	7776	9864
102	5519	5817	8315	6712	9285	8054	10217
105	5809	6123	8753	7065	9773	8478	10754
107	6005	6330	9048	7304	10103	8764	11118



Head Office -
Griffin-Woodhouse Limited
Woods Lane, Cradley Heath
West Midlands B64 7AR
United Kingdom

T +44 (0) 1299 861829
F +44 (0) 1299 861830
E sales@gwec.co.uk

Offshore - Mooring Chain & Accessories

LTM D Type Anchor Shackle

(Product Code STDR - 1101)

Chain ∅ Dc (mm)	R3			R3S		R4	
	PL* (kN)	PL** (kN)	MBL*** (kN)	PL*** (kN)	MBL*** (kN)	PL*** (kN)	MBL*** (kN)
111	6404	6750	9650	7789	10775	9347	11856
114	6709	7071	10109	8159	11287	9791	12420
117	7018	7397	10574	8535	11807	10242	12993
120	7331	7728	11047	8916	12334	10700	13573
122	7542	7950	11365	9173	12690	11008	13964
124	7755	8175	11686	9432	13048	11319	14358
127	8078	8515	12171	9824	13591	11789	14955
130	8404	8858	12663	10221	14139	12265	15559
132	8623	9089	12993	10488	14508	12585	15965
137	9178	9674	13829	11162	15441	13395	16992
142	9741	10267	14677	11847	16388	14216	18033
147	10311	10868	15536	12540	17347	15048	19089
152	10887	11476	16405	13241	18317	15890	20156
157	11469	12089	17282	13949	19297	16739	21234

* per Table 1, Sec. 3 - ABS Guide for the Certification of Offshore Mooring Chain

** per Table 1, Ch.2 Sec.2 - DNVGL Offshore Standard DNVGL-OS-E302, Offshore Mooring Chain

*** per both * & ** above