



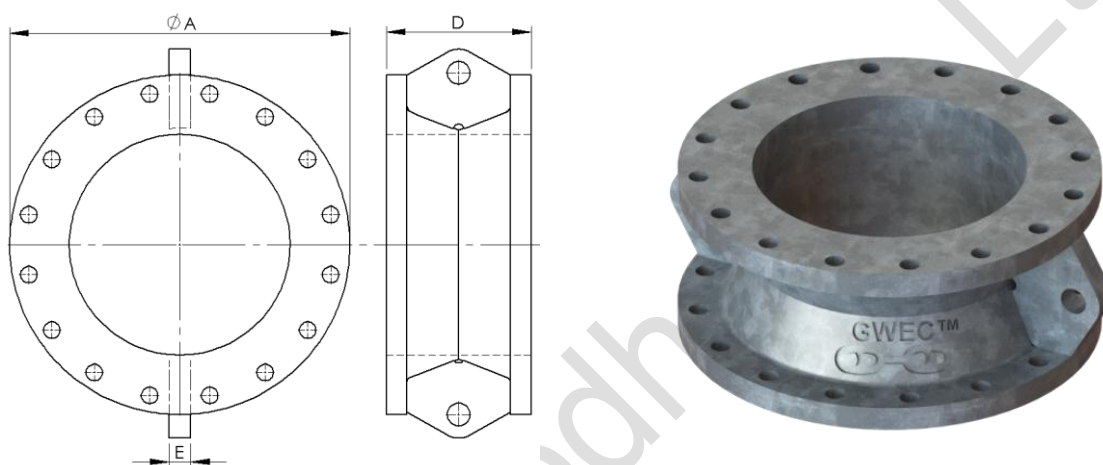
Head Office -
Griffin-Woodhouse Limited
 Woods Lane, Cradley Heath
 West Midlands B64 7AR
United Kingdom

T +44 (0) 1299 861829
 F +44 (0) 1299 861830
 E sales@gwec.co.uk

Offshore - FPSO & SPM Topsides

Spool Pieces

(Product Code STDR - 3111)



Griffin-Woodhouse Spool Pieces, comprising two WNF Flanges, are manufactured from galvanised steel and suitable for Class 150 ANSI, although Class 300 ANSI, DIN and many other flange types are also available. Supplied with or without lifting lugs, which can be configured to suit specific requirements, spool pieces are standardised as detailed to suit most arrangements. For further information please contact us.

Nom Flange Size		Lug SWL (kN)	Dimensions (mm)		
(Inch)	(mm)		A	D	E
6	150	40	279.4	177.8	24
8	200	40	342.9	203.2	24
10	250	40	406.4	203.2	24
12	300	80	482.6	228.6	38
16	400	80	596.9	254.0	38
20	500	120	698.5	289.0	38