

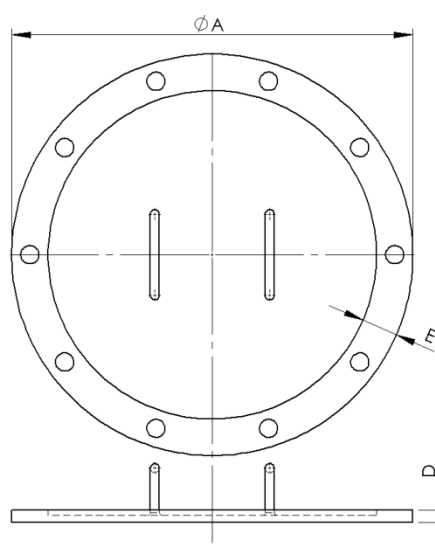


Head Office -  
**Griffin-Woodhouse Limited**  
 Woods Lane, Cradley Heath  
 West Midlands B64 7AR  
**United Kingdom**

T +44 (0) 1299 861829  
 F +44 (0) 1299 861830  
 E [sales@gwec.co.uk](mailto:sales@gwec.co.uk)

Offshore - FPSO & SPM Topsides

## Blind Flanges



(Product Code STDR - 3113)



(Product Code STDR - 3112 - 5)



(Product Code STDR - 3114)



(Product Code STDR - 3112 - 6)

Griffin-Woodhouse Blind Flanges (STDR - 3113) are manufactured from galvanised steel and are suitable for Class 150 ANSI, although Class 300 ANSI, DIN and many other flange types are also available including a lightweight version (STDR - 3114). Lightweight Blanking Flanges to suit Camlock Couplings are available in galvanised steel (STDR - 3112 - 5) or aluminium (STDR - 3112 - 6) to prevent seawater ingress and provide protection when not in use. For further information please contact us.

Nom Flange Size		No. of Handles	Dimensions (mm)		
(Inch)	(mm)		A	D*	E
6	150	1	279.4	12	38.1
8	200	1	342.9	12	44.5
10	250	1	406.4	12	44.5
12	300	1	482.6	12	50.8
16	400	2	596.9	16	57.2
20	500	2	698.5	22	63.5

\* STDR - 3113, STDR 3112 - 5 & STDR 3112 - 6 (only)