



Head Office -  
**Griffin-Woodhouse Limited**  
 Woods Lane, Cradley Heath  
 West Midlands B64 7AR  
**United Kingdom**

T +44 (0) 1299 861829  
 F +44 (0) 1299 861830  
 E [sales@gwec.co.uk](mailto:sales@gwec.co.uk)

Offshore - FPSO & SPM Topsides

## Camlock Couplings

(Product Code STDR - 3112)



(Product Code STDR - 3112 - 1)



(Product Code STDR - 3112 - 5)



(Product Code STDR - 3112 - 6)

Making and breaking hose and loading arm connections conventionally can be hazardous and time-consuming however, by employment of a Camlock Coupling flanges are brought together and automatically positioned within the cam blocks, taking seconds to lock each cam. Disconnection is similarly swift and hazard-free.

A permanently positioned 'O' ring face seal forms a dependable, leak-proof connection and prevents injury. The design makes it impossible to loosen during normal operating conditions when there is pressure in the line. A round steel bar, or optional special locking wrench, is the only tool needed to lock, tighten or release the cams.

All existing flange or pipe arrangements will accept a Camlock Coupling. The range includes

- **Short Spool** (Product Code STDR - 3112 - 1)
- **Studded** (Product Code STDR - 3112 - 2)
- **Slip-On** (Product Code STDR - 3112 - 3)
- **Weld Neck** (Product Code STDR - 3112 - 4)

Materials include nickel plated & painted carbon steel or stainless steel, although other more exotic materials can be supplied to special order. A wide variety of seals are also available to suit the product in transfer. Other options include cam guards, lifting lugs and special paint finishes. The standard Camlock Coupling is suitable for Class 150 ANSI flanges, although Class 300 ANSI, DIN and many other flange types are also available.

Standard and Lightweight Blind Flanges (pictured) are available in either aluminium or galvanised steel to prevent seawater ingress and provide protection when not in use. Please refer to our Blind Flanges data sheet or for detailed information please contact us.

[www.gwec.co.uk](http://www.gwec.co.uk)



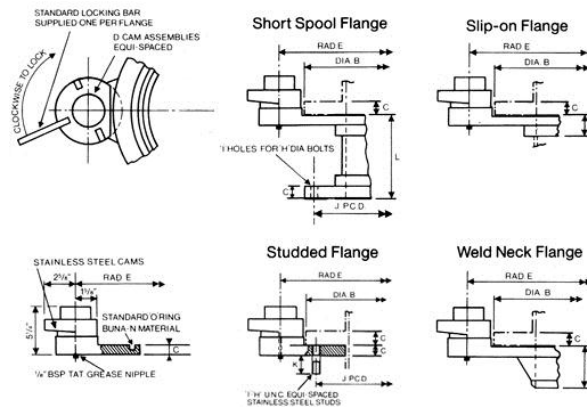
Head Office -  
**Griffin-Woodhouse Limited**  
 Woods Lane, Cradley Heath  
 West Midlands B64 7AR  
 United Kingdom

T +44 (0) 1299 861829  
 F +44 (0) 1299 861830  
 E [sales@gwec.co.uk](mailto:sales@gwec.co.uk)

Offshore - FPSO & SPM Topsides

## Camlock Couplings

(Product Code STDR - 3112)



Ref.	Nominal Flange Size (inch)											
	2	3	4	6	8	10	12	14	16	20	22	24
<b>A</b>	2	3	4	6	8	10	12	14	16	20	22	24
<b>B</b>	6	7.5	9	11	13.5	16	19	21	23.5	27.5	29.5	32
<b>C</b>	0.75	0.937	0.937	1	1.125	1.187	1.25	1.375	1.437	1.687	1.75	1.875
<b>D</b>	2	2	2	2	3	3	4	4	5	6	7	8
<b>E</b>	4.718	5.468	6.187	7.218	8.437	9.687	11.187	12.187	13.437	15.5	16.5	17.75
<b>F</b>	1	1.187	1.317	1.562	1.75	1.937	2.187	2.25	2.5	2.875	3.125	3.25
<b>G</b>	2.5	2.75	3	3.5	4	4	4.5	5	5	5.687	-	6
<b>H</b>	0.625	0.625	0.625	0.75	0.75	0.875	0.875	1	1	1.125	1.25	1.25
<b>I</b>	4	4	8	8	8	12	12	12	16	20	20	20
<b>J</b>	4.75	6	7.5	9.5	11.75	14.25	17	18.75	21.25	25	27.25	29.5
<b>K</b>	1.125	1.875	1.875	2.25	2.25	2.5	2.5	2.5	2.875	3.125	3.375	3.625
<b>L</b>	-	-	-	5	5.75	6	6.625	7.25	7.5	8.5	-	10

Type	Weight (Kgs)											
	2	3	4	6	8	10	12	14	16	20	22	24
<b>Studded</b>	14.1	15.45	17.27	19.54	30	35.9	46.36	55.9	67.73	102.7	118.2	134.5
<b>Weld Neck</b>	15.45	17.27	19.54	23.18	36.36	42.73	61.82	74.54	94.1	120	145.4	167.3
<b>Slip-On</b>	15	16.82	18.63	20.91	32.27	38.63	54.45	60	72.72	110.4	127.2	144.5
<b>Short Spool</b>	-	-	-	33.81	51.36	67.72	96.36	109.5	137.7	216.3	250.4	285.9