



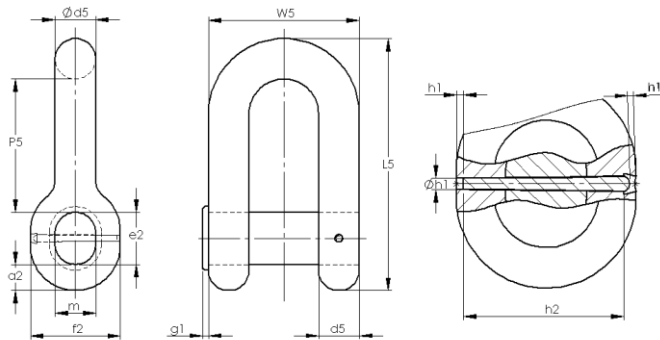
Head Office -
Griffin-Woodhouse Limited
 Woods Lane, Cradley Heath
 West Midlands B64 7AR
 United Kingdom

T +44 (0) 1299 861829
 F +44 (0) 1299 861830
 E sales@gwec.co.uk

Marine - Ship's Anchor Chain & Accessories

D Type End Shackle

(Product Code STDR - 1100)



d = nominal diameter of common link
 $d5$ = diameter of end shackle $\approx 1.4d$
 $L5 \approx 8.7d$
 $P5 = L5 - (d5 + a2 + e2) \approx 4.6d$
 $W5 = 5.2d$
 $a2 \approx 0.9d$
 $e2 \approx 1.8d$
 $f2 \approx 3.1d$
 $g1 \approx 0.2d$
 $h1$ = nominal diameter of taper pin
 $h2$ = nominal length of taper pin
 $m \approx 1.4d$



Chain Dia. Dc (mm)	Grade U2		Grade U3	
	PL (kN)	MBL (kN)	PL (kN)	MBL (kN)
17.5	128	179	-	-
19	150	211	-	-
20.5	175	244	244	349
22	201	281	281	401
24	238	333	333	475
26	278	389	389	556
28	321	450	450	642
30	367	514	514	734
32	416	583	583	832
34	468	655	655	936
36	523	732	732	1045
38	580	812	812	1160
40	640	896	896	1280
42	703	984	984	1406



Head Office -
Griffin-Woodhouse Limited
 Woods Lane, Cradley Heath
 West Midlands B64 7AR
United Kingdom

T +44 (0) 1299 861829
 F +44 (0) 1299 861830
 E sales@gwec.co.uk

Marine - Ship's Anchor Chain & Accessories

D Type End Shackle

(Product Code STDR - 1100)

Chain Dia. Dc (mm)	Grade U2		Grade U3	
	PL (kN)	MBL (kN)	PL (kN)	MBL (kN)
44	769	1076	1076	1537
46	837	1171	1171	1673
48	908	1270	1270	1814
50	981	1373	1373	1961
52	1057	1479	1479	2113
54	1135	1589	1589	2269
56	1216	1702	1702	2430
58	1299	1818	1818	2597
60	1384	1938	1938	2767
62	1472	2060	2060	2943
64	1562	2187	2187	3123
66	1655	2316	2316	3308
68	1749	2448	2448	3496
70	1846	2583	2583	3690
73	1995	2792	2792	3988
76	2149	3007	3007	4295
78	2254	3154	3154	4505
81	2415	3380	3380	4827
84	2580	3612	3612	5158
87	2750	3849	3849	5498
90	2924	4093	4093	5845
92	3042	4258	4258	6081
95	3223	4510	4510	6442



Head Office -
Griffin-Woodhouse Limited
 Woods Lane, Cradley Heath
 West Midlands B64 7AR
United Kingdom

T +44 (0) 1299 861829
 F +44 (0) 1299 861830
 E sales@gwec.co.uk

Marine - Ship's Anchor Chain & Accessories

D Type End Shackle

(Product Code STDR - 1100)

Chain Dia. Dc (mm)	Grade U2		Grade U3	
	PL (kN)	MBL (kN)	PL (kN)	MBL (kN)
97	3345	4682	4682	6687
100	3532	4943	4943	7060
102	3658	5120	5120	7312
105	3850	5389	5389	7697
107	3980	5571	5571	7957
111	4245	5941	5941	8486
114	4447	6224	6224	8889
117	4652	6511	6511	9299
120	4859	6801	6801	9714
122	4999	6997	6997	9994
124	5141	7195	7195	10276
127	5354	7494	7494	10703
130	5571	7796	7796	11135
132	5716	8000	8000	11426
137	6083	8514	8514	12161
142	6456	9036	9036	12906
147	6834	9565	9565	13662
152	7217	10100	10100	14426

Per LRS Table 10.2.4, Ch.10 - Rules for Manufacture, Testing & Certification of Materials